

**PUMPER
BODY**

Medium Aluminum 2nd Gen Pumper

CHASSIS

Enforcer Chassis

**CHASSIS
AXLE, FRONT, CUSTOM**

18,000 Lb TAK-4 Axle

AXLE, REAR

24,000 Lb Dana Axle

ENGINE

450 HP Cummins L9 Engine

TRANSMISSION

Allison 5th Gen, 3000 EVS P

BUMPER

19" Extended Painted Steel

CAB

6000 Enforcer Cab

BODY

WATER TANK

500 Gallon Poly Water Tank

COMPT, PUMPER, REAR

37.75" FF RollUp Rear Compt

COMPT, PUMPER, LEFT SIDE

152" RollUp Full Height Front & Rear FDLR

COMPT, PUMPER, RIGHT SIDE

152" RollUp Full Height Front & Rear FDLR

**FIRE SUPPRESSION
PUMPHOUSE**

45" Control Zone Side Mount

PUMP

1500 GPM Hale QMAX

CROSSLAYS, 1.50"

(2) 1.50" Special Capacity

CROSSLAYS, 2.50"

2.50" Crosslay Not Required

SPEEDLAYS

Speedlays Not Required

GENERATOR

Generator Not Required

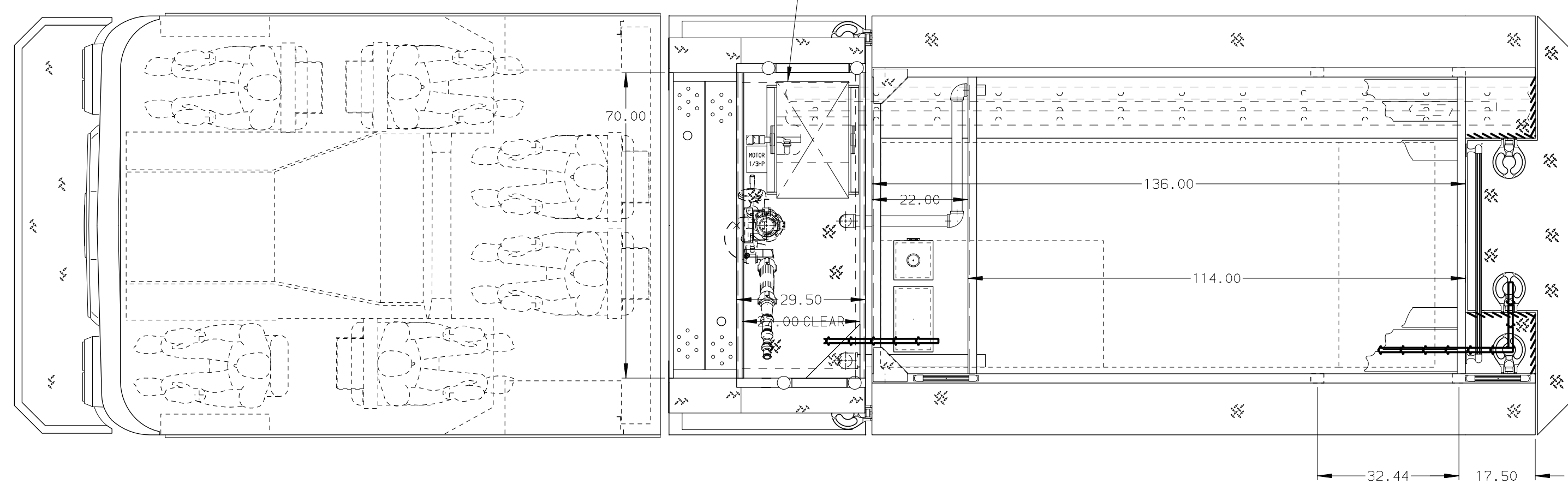
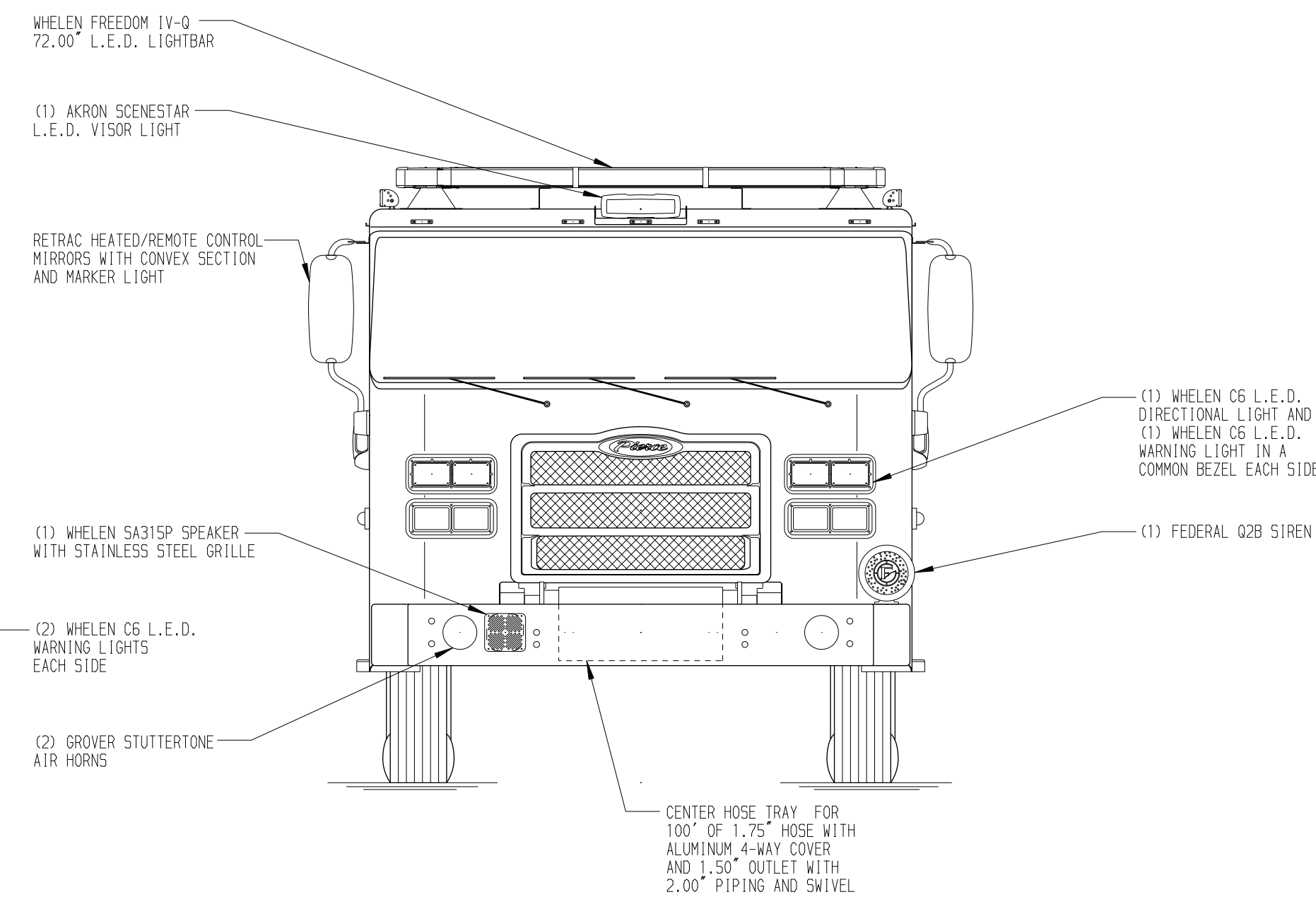
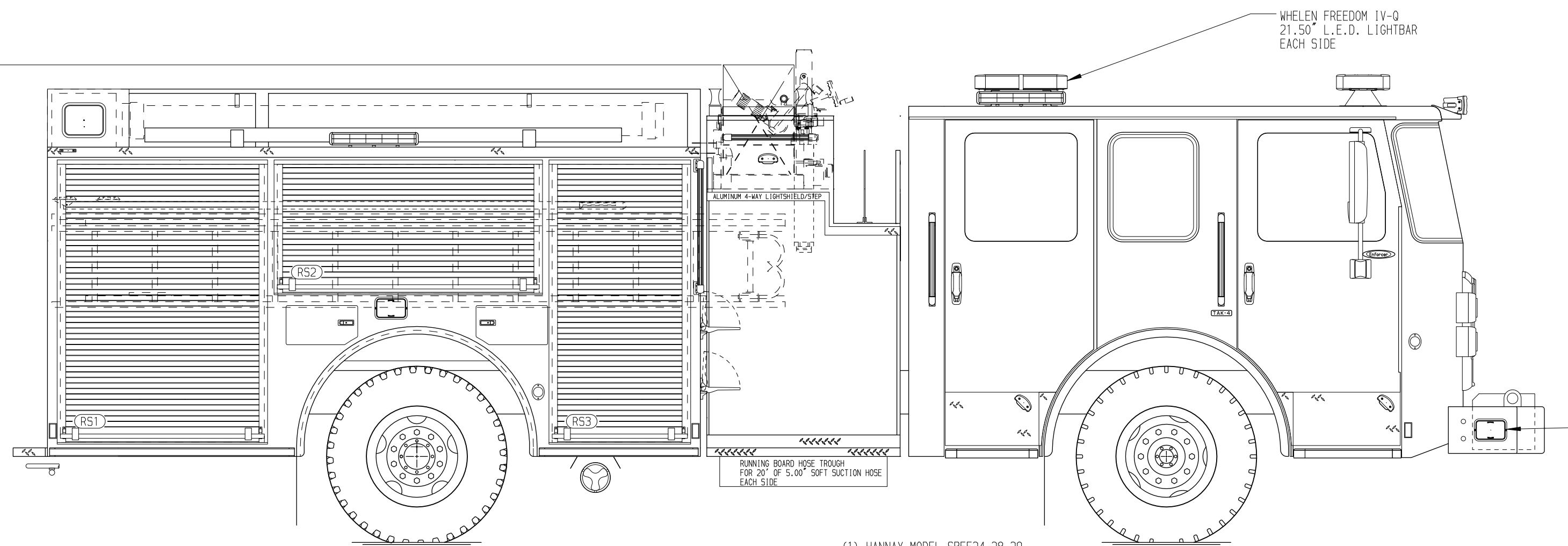
Foam System

Akron Eductor Foam System

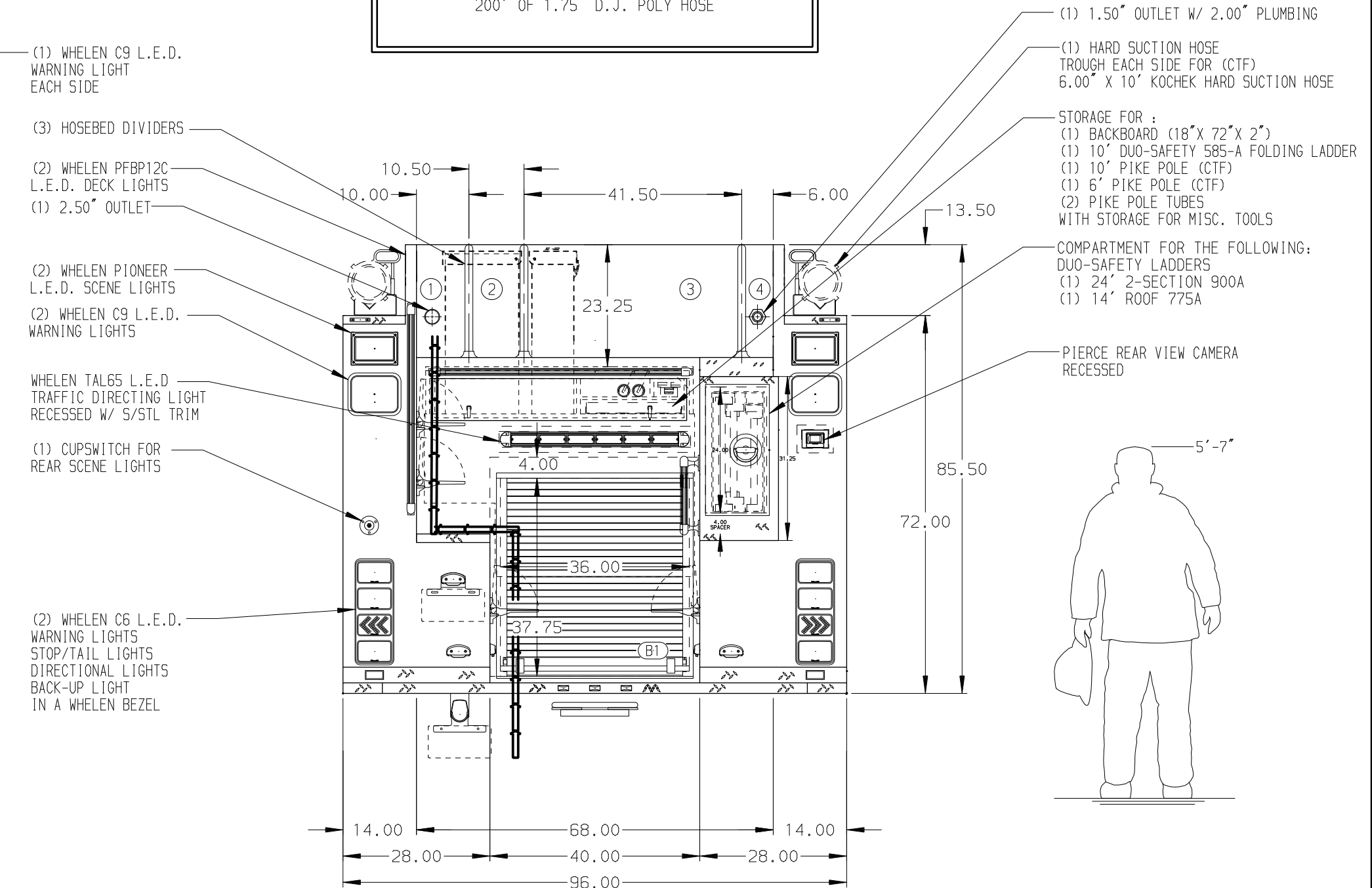
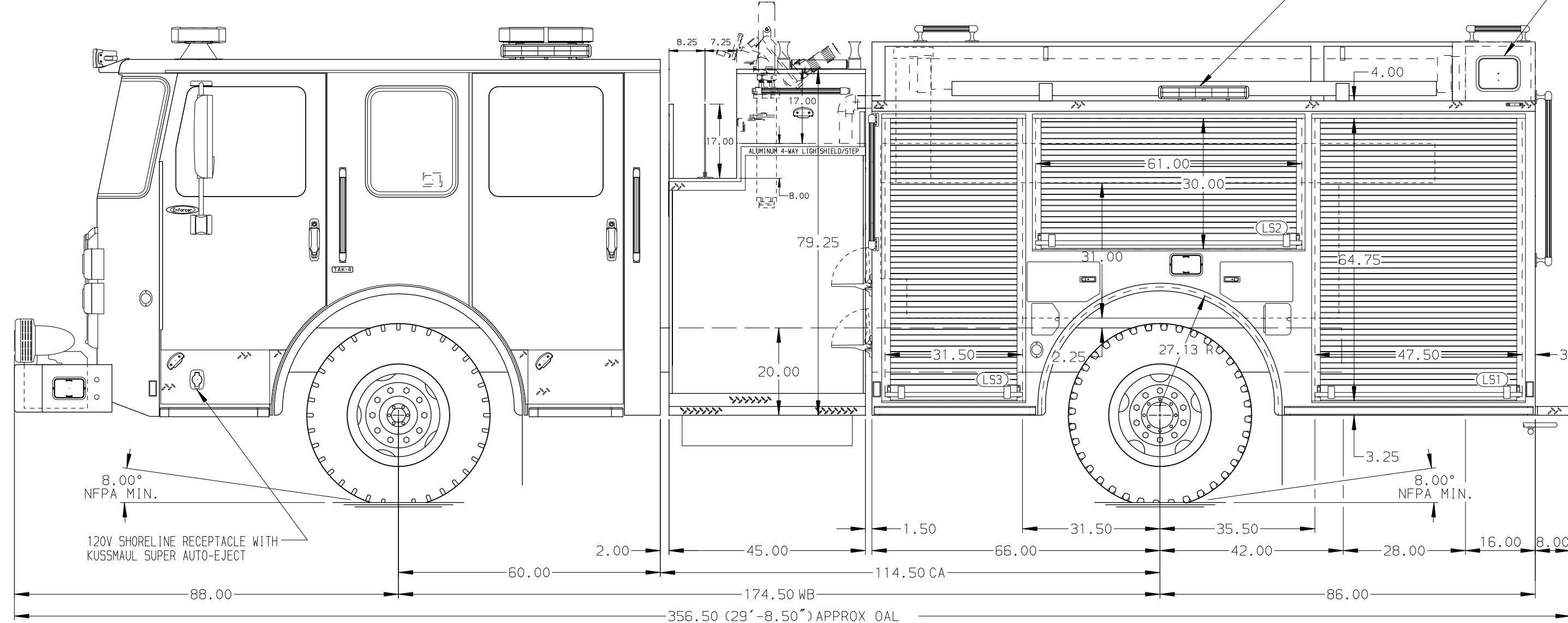
Foam Cell

30 Gallon Foam Cell, Not Reduced Water

114.00
(9'-6")
APPROX
O.A.H.



HOSEBED CAPACITY	
BED 1	200' OF 2.50" D.J. POLY HOSE
BED 2	200' OF 2.50" D.J. POLY HOSE
BED 3	1000' OF 5.00" D.J. POLY HOSE
BED 4	200' OF 1.75" D.J. POLY HOSE



MAXIMUM O.A.L. 360.00"

MAXIMUM O.A.H. 114.00"

NOTE
DIMENSIONS SHOWN ARE APPROXIMATE AND ARE SUBJECT TO MINOR DEVIATIONS AS MAY OCCUR OR BE NECESSARY IN CONSTRUCTION. MINOR DETAILS NOT SHOWN.

- 120V SHORELINE RECEPTACLE WITH KUSSMAUL SUPER-AUTO EJECT IN DRIVER'S STEP AREA
- BATTERY CHARGER LOCATED BEHIND DRIVER'S SEAT
- BATTERY CHARGER INDICATOR DISPLAYED THROUGH WINDOW BEHIND DRIVER'S SEAT
- NINE ADJUSTABLE FULL WIDTH/DEPTH SHELVES LOCATED PER SHOP ORDER
- ONE SWING-OUT TOOL BOARD WITH PEGBOARD LOCATED PER SHOP ORDER
- PARTITION BETWEEN COMPARTMENTS D1/R1 AND P1/R1
- JUMPER STUDS BELOW OFFICER'S SIDE BATTERY BOX
- AIR INLET/OUTLET WITH DISCONNECT COUPLING ON THE D.S. PUMP PANEL
- ALUMINUM PEGBOARD LOCATED PER SHOP ORDER

REV	DATE	BY	CH	ENFORCER
25JAN19	COL	KBO	MAKE	
04JAN19	KLE	KBO	PIERCE	
26DEC18	KLE	KW1	MODEL	

TITLE	FOR	DWG NO.
1500-D-530P, 500 GAL OF WATER W/ 30 GAL FOAM CELL 152" FH FDLR, (2) X-LAYS, LDERS. BTWN. TANK & S. SHEET	MOBILE FIRE DEPARTMENT MOBILE, ALABAMA	33360AD

JOB NO.	33360 01-03
SCALE	1:24
DATE	
DRAWN BY	COL
CHECKED BY	KBO
SHEET SIZE	D
SHEET NO.	1 OF 1