

PUMPER BODY

Medium Aluminum 2nd Gen Pumper

CHASSIS

Enforcer Chassis

CHASSIS AXLE, FRONT, CUSTOM

18,000 Lb Dana Axle

AXLE, REAR

27,000 Lb Dana Axle

ENGINE

450 HP Cummins L9 Engine

TRANSMISSION

Allison 5th Gen, 3000 EVS P

BUMPER

19" Extended Painted Steel

CAB

7010 Enforcer Cab

BODY WATER TANK

750 Gallon New York Style Water Tank

COMPT, PUMPER, REAR

30.75" FF RollUp Rear Compt

COMPT, PUMPER, LEFT SIDE

152" RollUp Full Height Front & Rear FDLR

COMPT, PUMPER, RIGHT SIDE

152" RollUp Full Height Front & Rear FDLR

FIRE SUPPRESSION PUMPHOUSE

45" Control Zone Top Mount

PUMP

1250 GPM Hale QMAX

CROSSLAYS, 1.50"

1.50" Crosslays Not Required

CROSSLAYS, 2.50"

2.50" Crosslay Not Required

SPEEDLAYS

(2) 1.50" w/ Tray, Std. Capacity

GENERATOR

Generator Not Required

Foam System

Husky 3 Single Agent Foam System

Foam Cell

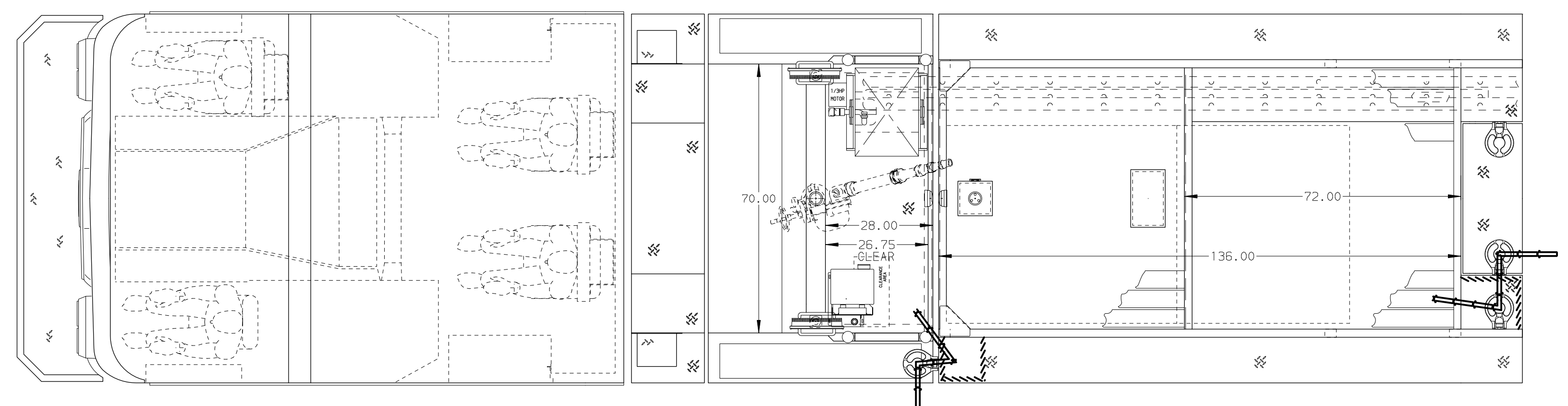
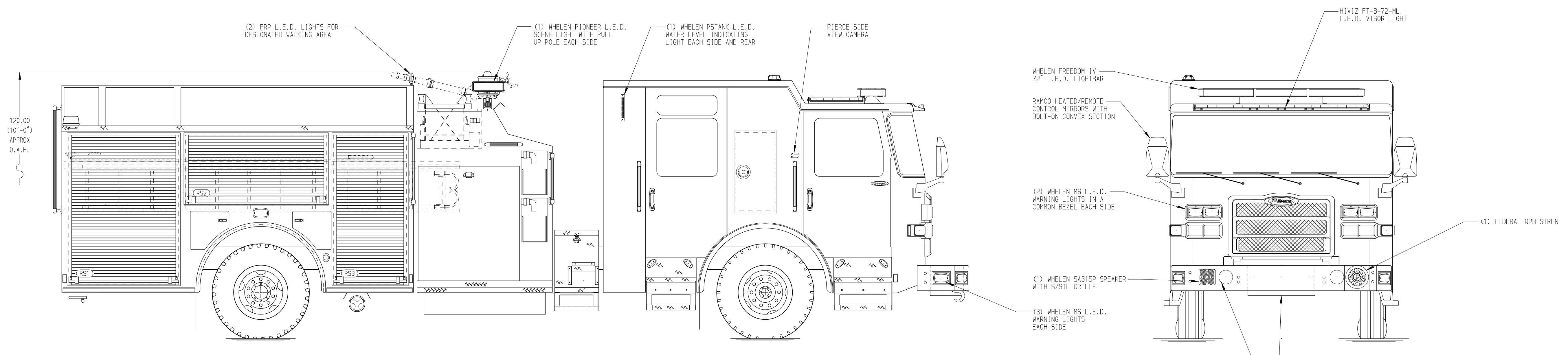
20 Gallon Foam Cell, Not Reduced Water

Side Roll and Frontal Impact Protection

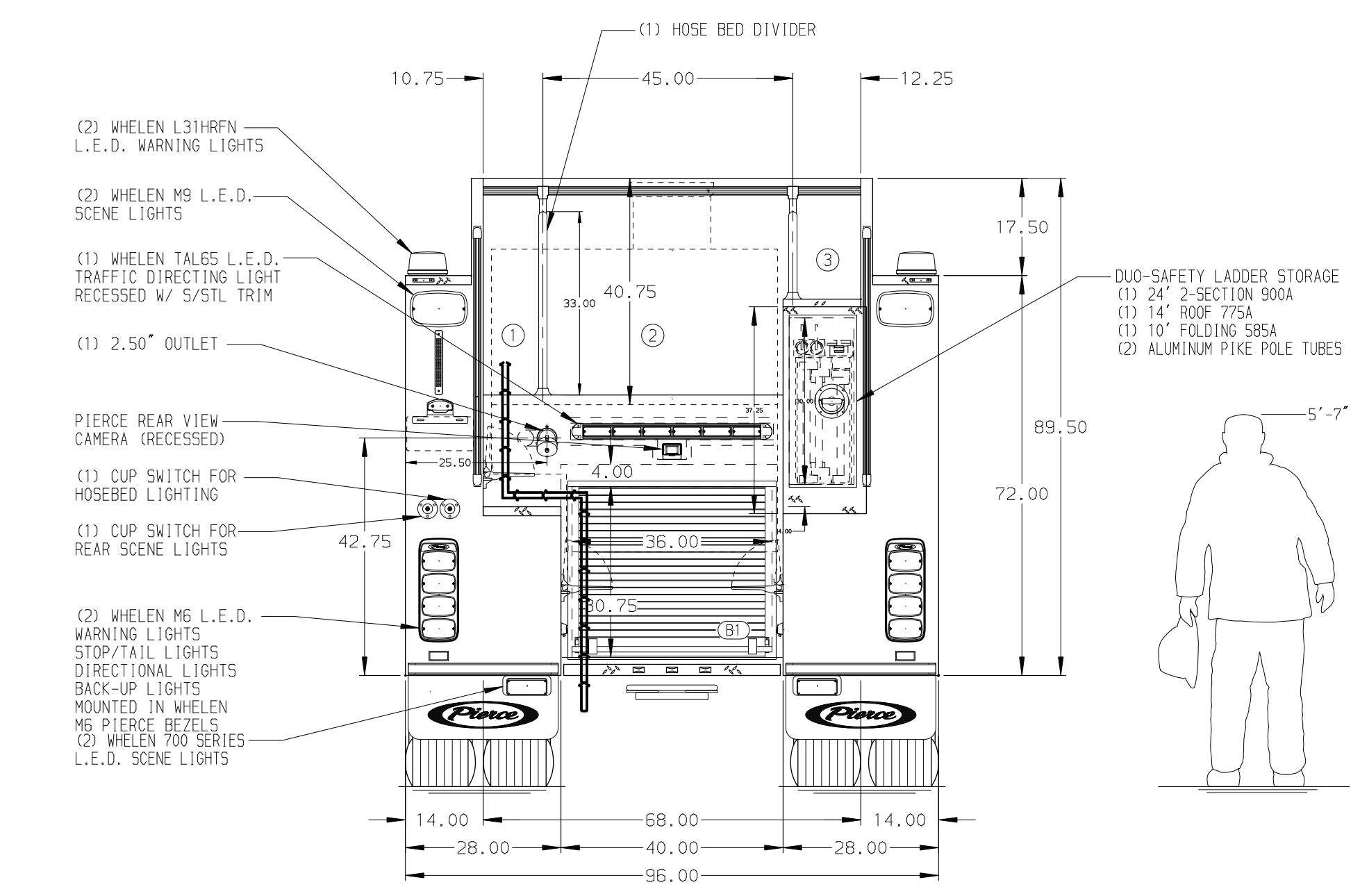
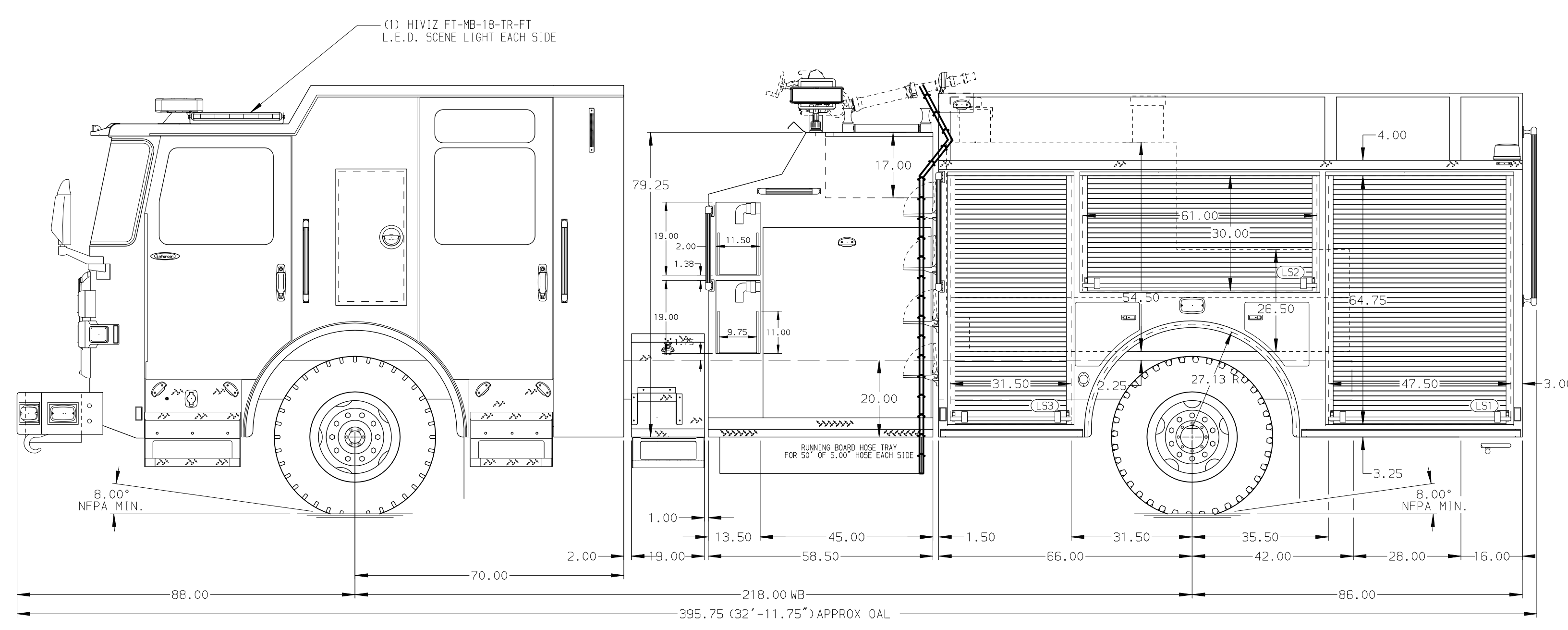
NOTE

DIMENSIONS SHOWN ARE APPROXIMATE AND ARE SUBJECT TO MINOR DEVIATIONS AS MAY OCCUR OR BE NECESSARY IN CONSTRUCTION. MINOR DETAILS NOT SHOWN.

1. ONE 1.50" OUTLET WITH 2.00" PIPING AND SWIVEL LOCATED IN CENTER BUMPER TRAY
2. SHORELINE RECEPTACLE WITH KUSSMAUL SUPER AUTO-EJECT LOCATED IN DRIVER SIDE STEPWELL
3. AIR INLET WITH DISCONNECT COUPLING IN THE DRIVER SIDE STEPWELL
4. BATTERY CHARGER LOCATED IN COMPARTMENT PER SHOP ORDER
5. BATTERY CHARGE INDICATOR LOCATED ON THE DRIVER SIDE SEAT RISER
6. SIX ADJUSTABLE SHELVES LOCATED PER SHOP ORDER
7. THREE FLOOR MOUNTED SLIDE-OUT TRAY LOCATED PER SHOP ORDER
8. CTECH TWO DRAWER ASSEMBLY LOCATED PER SHOP ORDER
9. AUTOMATIC TIRE CHAINS
10. HANNAY BOOSTER REEL SBEF24-23-24-12 WITH CAPACITY FOR 100' OF 1.00" NEIDNER HOSE



HOSEBED CAPACITY	
BED 1	200' OF 2.50" D.J. POLY HOSE
BED 2	1200' OF 5.00" D.J. POLY HOSE
BED 3	300' OF 1.75" D.J. POLY HOSE



		JOB NO.	33255
		SCALE	DATE
TITLE	Pierce Pumper Approval Drawing	DRAWN BY	COL
FOR	Booneville Fire Department	CHECKED BY	KBO
DWG NO.	33255AD	SHEET SIZE	SHEET NO.
REV	DATE	BY	CH

REV	DATE	BY	CH	ENFORCER
08FEB19	COL	KBO		PIERCE
20DEC18	COL	KBO		PIERCE