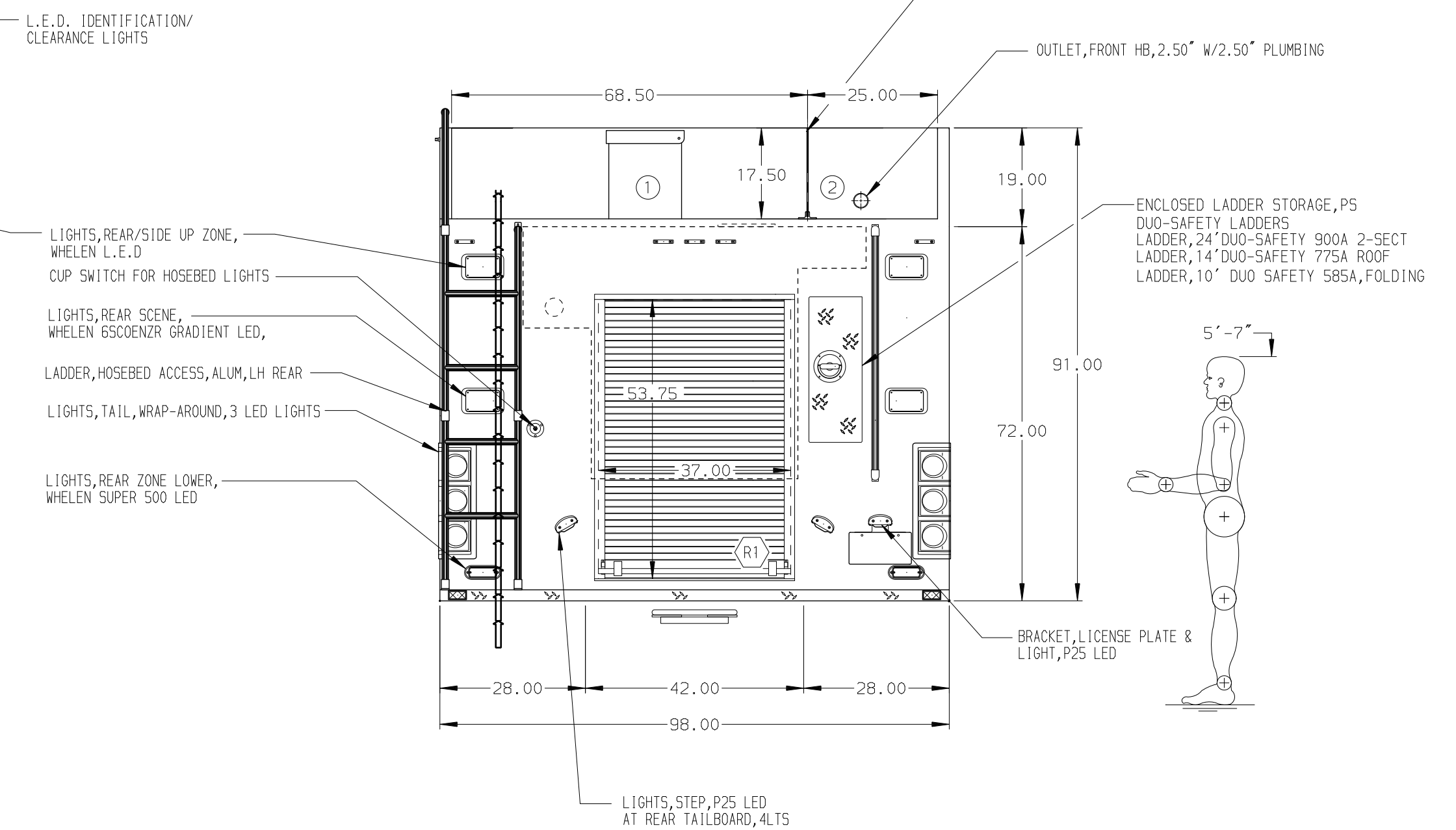
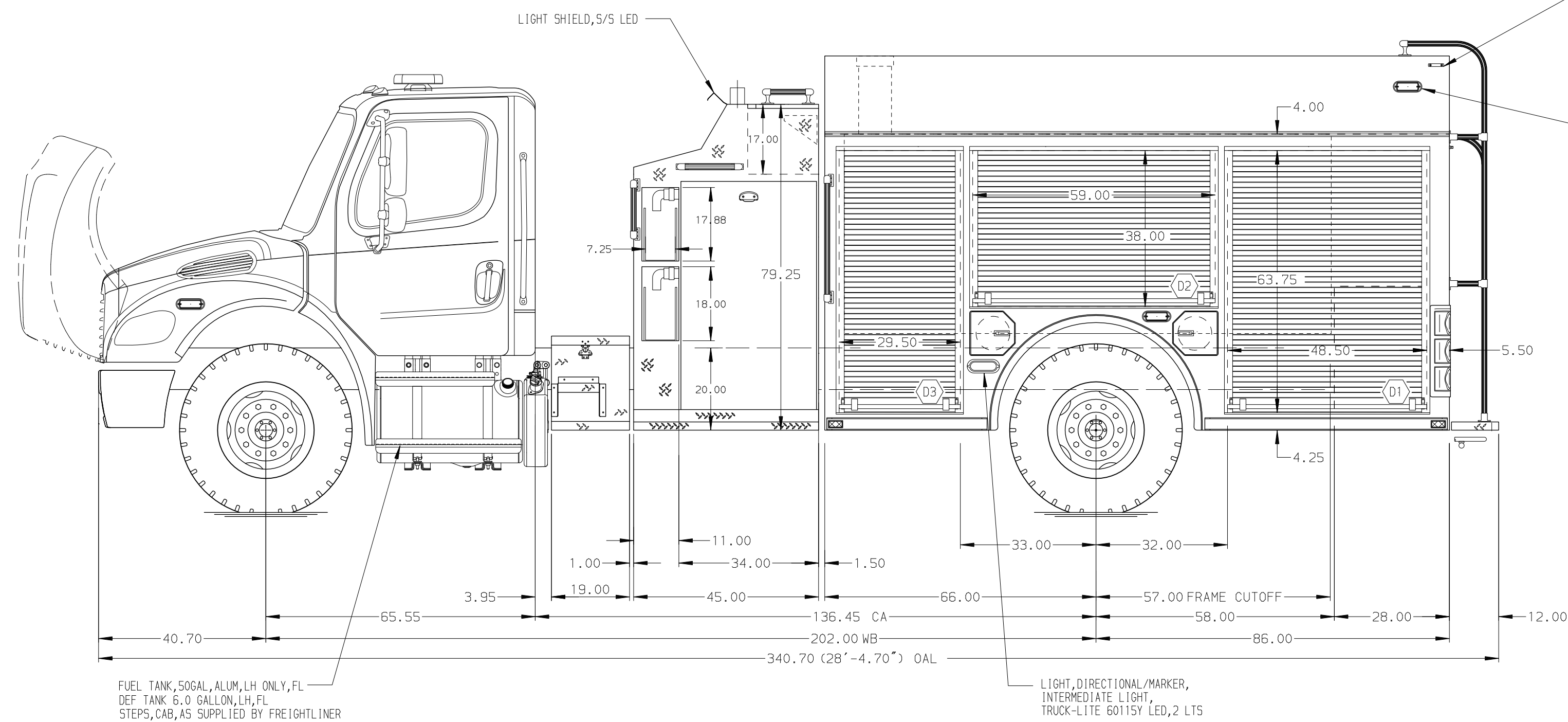


- HOSEBED CAPACITIES**
- ① 1500' OF 2.50\"/>



ALUMINUM BODY

1. C/F WHEEL CHOCKS AND MOUNTING BRACKETS
2. EXHAUST SYSTEM, HORIZONTAL, RH STEP MOUNTED DPF/SCR, 2013 FL
3. PERIMETER SCENE LIGHTS LOCATED PER SHOP ORDER
4. BATTERY CHARGING RECEPTACLE LOCATED ON THE DRIVER SIDE PUMP PANEL
5. AIR INLET LOCATED LOCATED DS PUMP PANEL
6. CONCEPTUAL DRAWING STAGE

NOTE
DIMENSIONS SHOWN ARE APPROXIMATE AND ARE SUBJECT TO MINOR DEVIATIONS AS MAY OCCUR OR BE NECESSARY IN CONSTRUCTION. MINOR DETAILS NOT SHOWN.

REV	DATE	BY	CH	MODEL
13JUL17	JAF	CAG		CHASSIS DATA
07OCT16	JAF	CAG		MAKE
17JUL15	JAF	CAG		FL
10JUL15	RW1	JAF		MODEL
16MAR15	JLA	CAG		M2-106

<p>Pierce MANUFACTURING INC. BRADENTON, FLORIDA</p>		JOB NO.	SF-1202
		SCALE	1:24
TITLE 1250-D-1000 1000 GAL WATER, 152\"/>	FOR PIERCE MANUFACTURING INC. BRADENTON, FLORIDA	DRAWN BY	DTA
		CHECKED BY	CAG
DWG NO.	NO.	SHEET SIZE	D
		SHEET NO.	1 OF 1

SF-1202AD