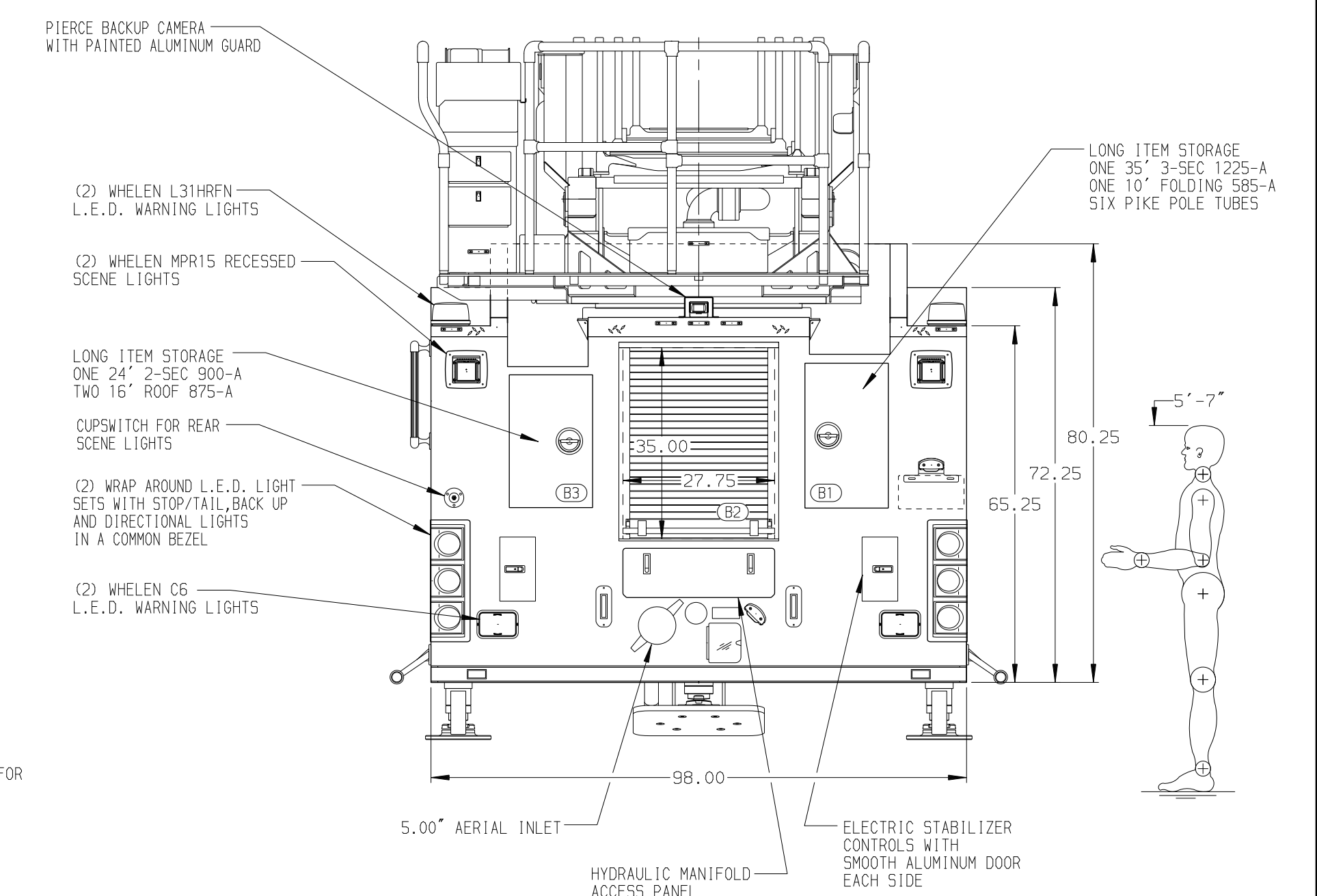
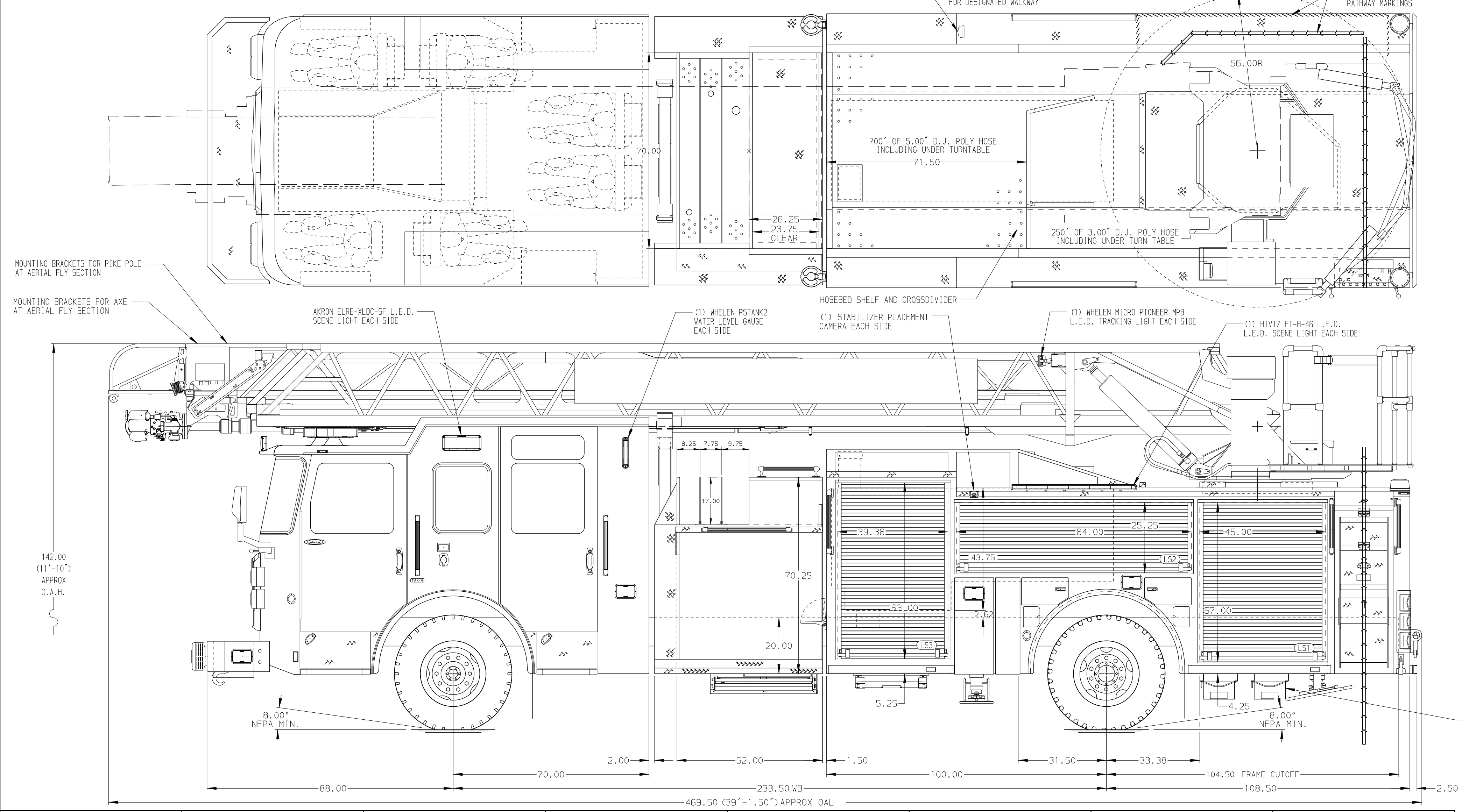


BODY	WATER TANK
107' ASL Aluminum Body	500 Gallon Poly Water Tank
COMPT, LEFT SIDE FRONT	Foam System
Full Height RollUp Forward	Foam System Not Required
COMPT, LEFT SIDE REAR	Foam Cell
Full Height RollUp Rearward	Foam Cell Not Required
COMPT, RIGHT SIDE FRONT	
Full Height RollUp Forward	
COMPT, RIGHT SIDE REAR	
Full Height RollUp Rearward	



CHASSIS Enforcer Chassis 450 HP Cummins L9 Engine	CAB 7010 Notched Enforcer Cab 19" Extended Painted Steel	AXLE, FRONT, CUSTOM 22,800 Lb TAK-4 Axle AXLE, REAR 33,500 Lb Meritor Axle	TRANSMISSION Allison 5th Gen, 3000 EV5 P	PUMPHOUSE 52" Control Zone Side Mount PUMP 2000 GPM Waterous CSU	CROSSLAYS, 1.50" (2) 1.50" Standard Capacity CROSSLAYS, 2.50" (1) 2.50" Standard Capacity	SPEEDLAYS Speedlays Not Required GENERATOR Generator Not Required	-	-
--	---	---	--	--	--	--	---	---

NOTE
DIMENSIONS SHOWN ARE APPROXIMATE AND ARE SUBJECT TO MINOR DEVIATIONS AS MAY OCCUR OR BE NECESSARY IN CONSTRUCTION.
MINOR DETAILS NOT SHOWN.

- ONE 1.50 OUTLET WITH 2.00 PIPING AND SWIVEL LOCATED IN CENTER BUMPER TRAY
- SHORELINE RECEPTACLE WITH KUSSMAUL SUPER AUTO-EJECT LOCATED ON DRIVER SIDE OF THE CAB
- AIR INLET WITH DISCONNECT COUPLING IN THE DRIVER SIDE PUMP PANEL
- BATTERY CHARGER LOCATED BEHIND DRIVER'S SEAT PER SHOP ORDER
- BATTERY CHARGE INDICATOR LOCATED ON THE DRIVER SID CAB
- SIX PULL STRAPS ON ROLL DOORS PER SHOP ORDER
- SEVEN ADJUSTABLE SHELVES IN COMPARTMENTS PER SHOP ORDER
- ONE VERTICAL PARTITION IN COMPARTMENT PER SHOP ORDER
- FOUR VERTICAL PARTITIONS FOR HOSE STORAGE SLOTS IN COMPARTMENTS PER SHOP ORDER
- PEGBOARD ON BACK WALL OF TWO COMPARTMENTS PER SHOP ORDER
- HORIZONTAL EQUIPMENT MOUNTING TRACKS IN ONE COMPARTMENT PER SHOP ORDER
- NON-RAISED AERIAL PEDESTAL
- LIFTING EYE ROPE RESCUE ATTACHMENT AT AERIAL TIP
- 1500 GPM HIGH FLOW WATERWAY
- RUNG LIGHTING ON AERIAL LADDER
- 2-WAY INTERCOM SYSTEM BETWEEN AERIAL TIP AND TURNABLE
- WHEEL CHOCK BRACKETS ONLY LOCATED PER SHOP ORDER

MAXIMUM OVERALL HEIGHT = 142.00" (11'-10")

REV	DATE	BY	CH	ENFORCER
07MAY21	TKA	DTS	MAKE	
02APR21	TKA	DTS	PIERCE	
02APR21	TKA	DTS	MODEL	

Pierce MANUFACTURING INC.		JOB NO.	35958
		SCALE	DATE
		1:24	
		DRAWN BY	05FEB21
		LWE	
		CHECKED BY	10FEB21
		NDA	
		SHEET SIZE	SHEET NO.
		D	1 OF 1
TITLE 107' ASCENDANT AERIAL LADDER AND BODY ASSEMBLY FOR GREENVILLE GREENVILLE, MS DWG NO. 35958AD			